

Fitting instructions for  
Truckman AeroTop to Rodeo  
Double Cab  
Model H46RS & H40SX

*Important:*

Read this instruction manual fully, before you commence installation. **Warranty is only granted when installation is done in accordance with these instructions.** Rights to modifications relating to design, construction, illustrations and text are reserved.

# ***Kit Contents***

- 1 x Truckman AeroTop
- 6 x Fitting Clamps (fig 1.)
- 2 x Keys for rear door
- 1 x Roll Protective Tape
- 1 x VHB Wipe
- 1 x Brake Light Blanking Plate
- 1mtr Neoprene Foam Seal



Fig 1.

# ***Tools Required***

- 1 x 14mm spanner/socket
- 1 x Phillips Number 2 screwdriver

1. Remove the 3<sup>rd</sup> brake light from behind the cab.  
Disconnect the cable.



2. Peel the water seal from the back of the light and place it on the blanking plate as shown



3. Screw the blanking plate to the back of the cab using the original screws. Place the light in the glove box for later use.  
Clean the cab window



**4. If there is an 'Over-Rail' loadliner fitted proceed to step 7**

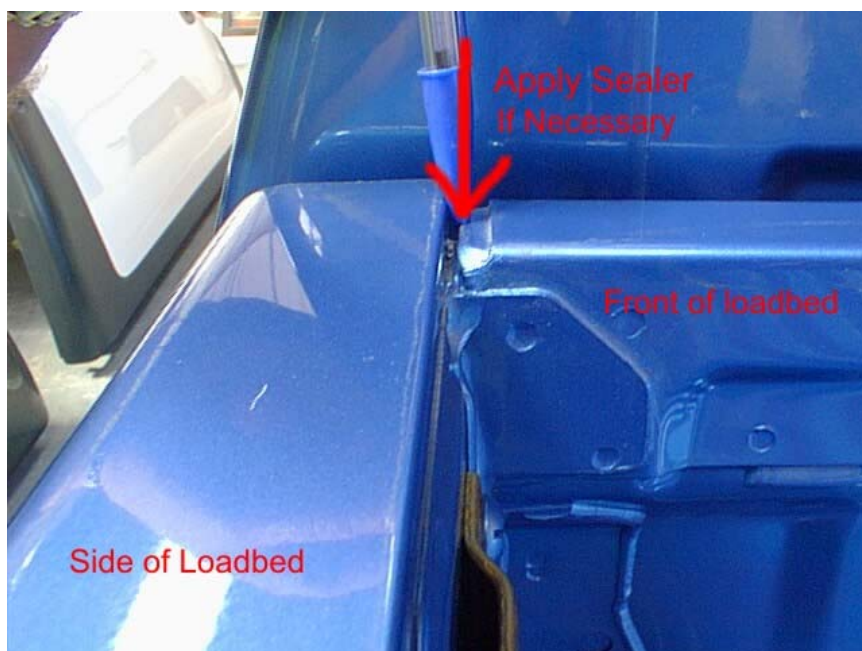
**If no loadliner or an under-rail liner is fitted continue as below.**

a) When fitting the Top with no loadliner or with an 'under-rail' loadliner, it may be necessary to use the supplied neoprene seal, across the front of the loadbed as shown in fig 2a.



Fig 2a

b) In certain cases it may also be necessary to apply a small amount of clear sealer to the area shown in Fig. 2b. This is due to small variations in the vehicle's manufacturing process.



c) Lift the Truckman top onto the top of the loadbed using at least 2 people. Take care to line the Top up ensuring that the front of the hardtop is in line with the front of the loadbed as shown in Figs 3 & 4. Also make sure that the Top is positioned centrally on the vehicle.

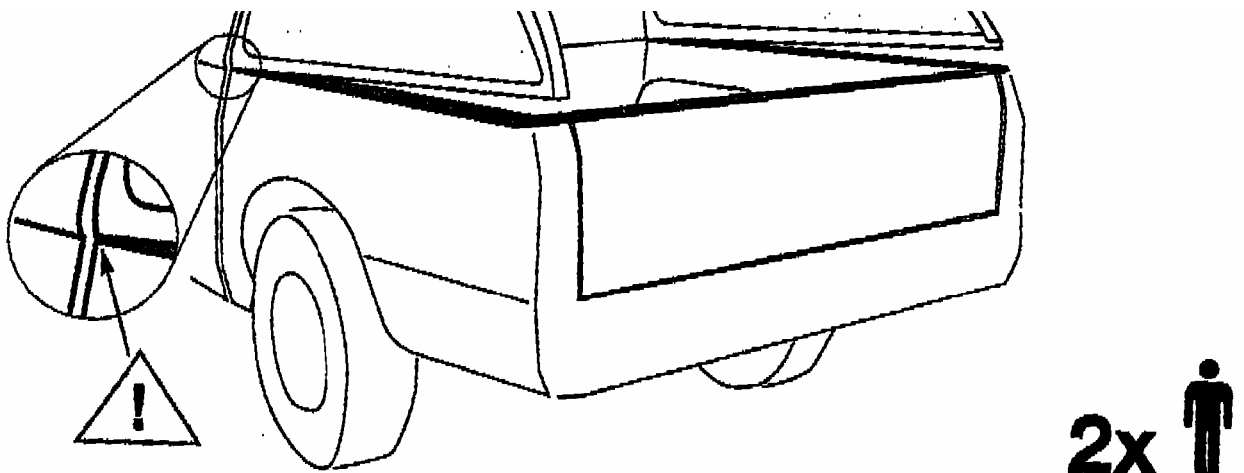


Fig. 3

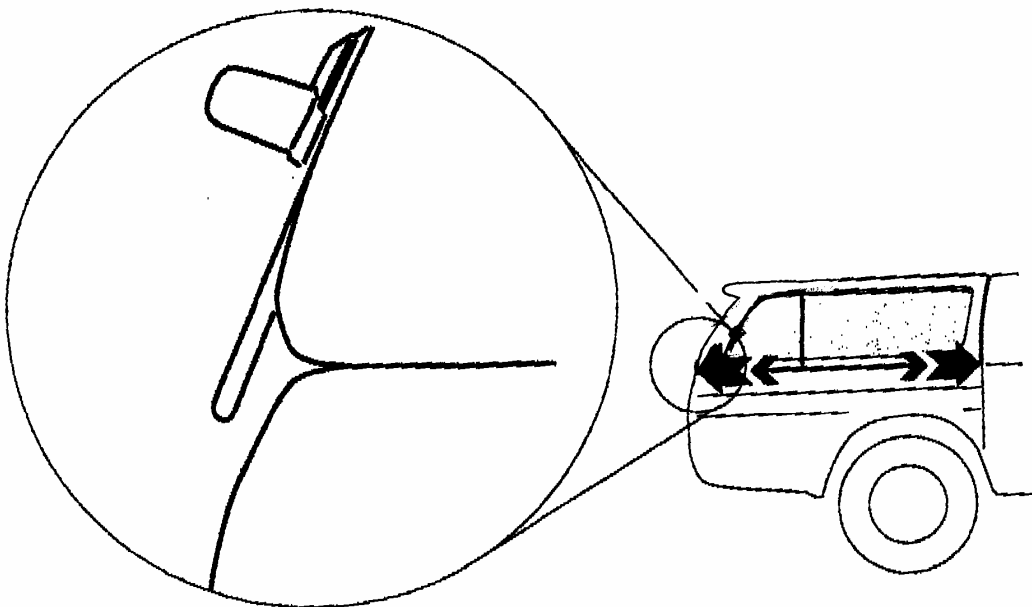


Fig. 4

5. Use the 14mm spanner to open up the clamps and position them on the Top as shown in Figure 5.

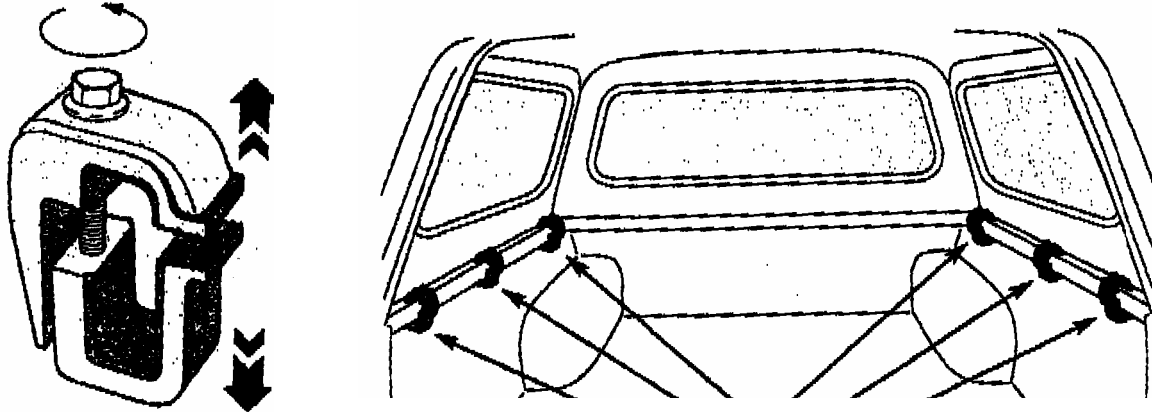
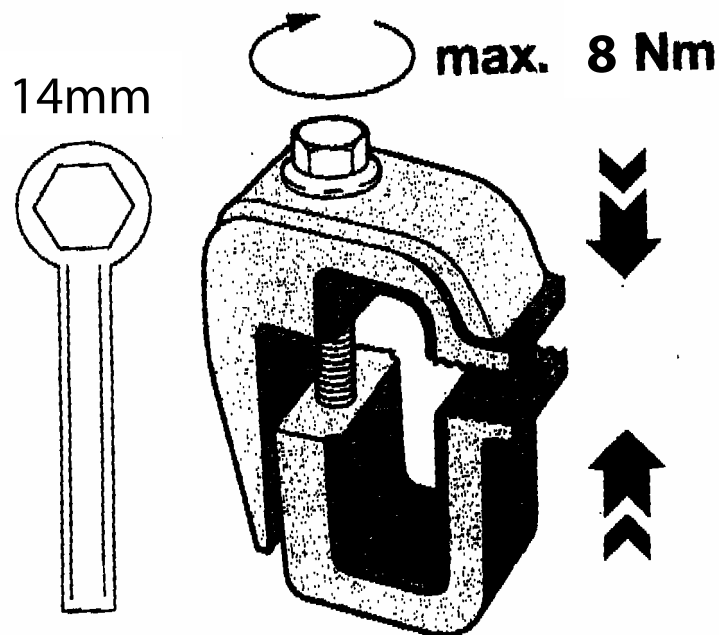


Fig. 5

6. Use the 15mm spanner to tighten the 6 clamps. DO NOT EXCEED 8NM. This is important as you may damage the clamp.





7. If there is a loadliner fitted, there is a need to cut 6 holes in the liner to allow the clamps to be fitted correctly.
8. **Remove the loadliner before drilling the holes**
9. Do this before lifting the Top onto the vehicle.
10. Each hole should be **70mm** from the top of the loadliner as shown below.



- 11 The front holes should be positioned 310mm from the front of the **loadliner**. The rear holes should be 290mm from the rear of the **loadliner** as shown below. The middle holes should be positioned mid-way between the front and rear holes.



**RETURN TO STEP 4**